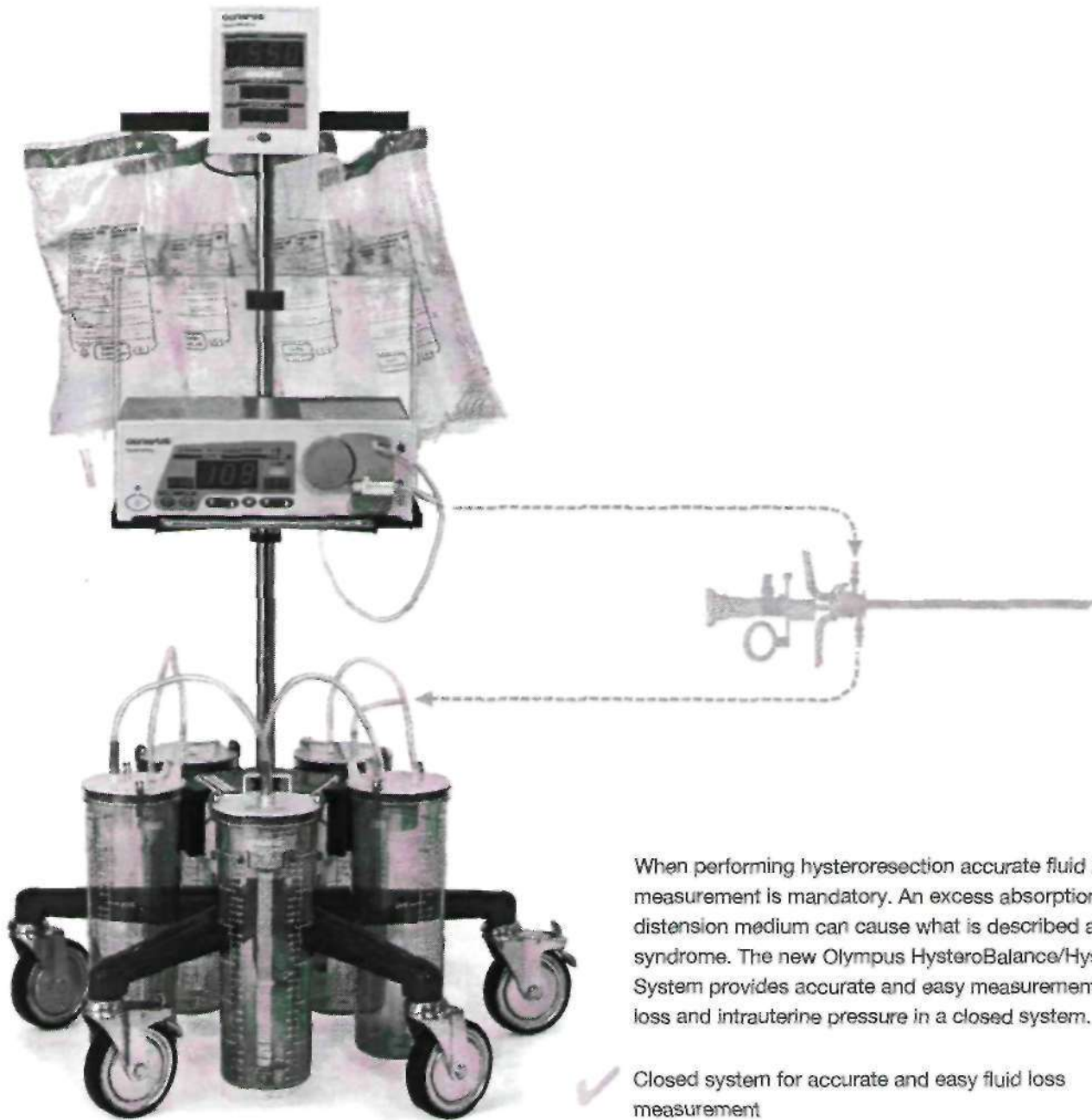


Table of Contents

HysteroFlow	
HysteroBalance	
Fluid Monitoring	DIS-05
	DIS-06
Uteroflator P	
CO ₂ Insufflator.....	DIS-15

HysteroFlow HysteroBalance

Fluid Monitoring



When performing hysteroresection accurate fluid loss measurement is mandatory. An excess absorption of the distension medium can cause what is described as the TUR syndrome. The new Olympus HysteroBalance/HysteroFlow System provides accurate and easy measurement of fluid loss and intrauterine pressure in a closed system.

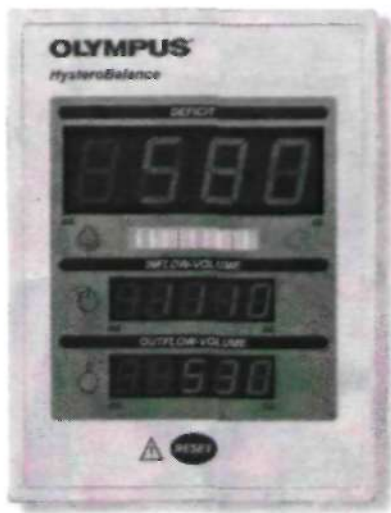
- ✓ Closed system for accurate and easy fluid loss measurement
- ✓ Intelligent software and automatic instrument recognition for accurate measurement of the intrauterine pressure
- ✓ One stand for easy handling
- ✓ Extra large display for clearly visible fluid-loss information

HysteroFlow Pump



- ✓ Fast and accurate pressure control
- ✓ Automatic instrument recognition
- ✓ Large display for intrauterine pressure
- ✓ Perforation alarm tone (fluid loss over 300 ml in 1 minute)

HysteroBalance Measuring Unit



Extra large display showing all relevant information:

- ✓ Fluid loss
- ✓ Inflow-volume
- ✓ Discharge-volume

HysteroBalance Stand

- ✓ No fluid bag or container change necessary during the procedure
- ✓ Cost effective – compatible with standard lightweight containers
- ✓ Easy set up of tubing
- ✓ No need to calibrate the fluid management system
- ✓ Extra stable trolley for secure handling

HysteroFlow HysteroBalance

(contd.)

HysteroBalance

A40602A Balancing system
"HysteroBalance"



Delivery includes:
wheel base, support plate, 5 container holders
(for Bemis containers), stand with measuring unit
and display unit, washer, M10 screw, 2 Allen wrenches

Technical Data

Dimensions

Width.....710 mm
Height.....1400 mm
Depth.....810 mm
Weight.....27 kg

(when used with pump "HysteroFlow")

Max. dimensions of fluid bags to be used

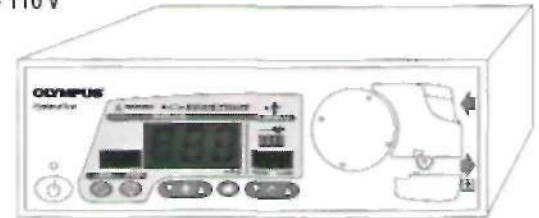
Width.....300 mm
Height.....440 mm

HysteroFlow

Pump "HysteroFlow"

A40600A 220 - 240 V

A40601A 100 - 110 V



Delivery includes:
pump, power cable, 2 spare fuses T3.15 A

Technical Data

Mains connection

Voltage.....100-240 V~
Frequency.....50-60 Hz
Max. power consumption.....82 W
Fuse.....2 x T3.15 A, UL-recognized

Dimension

Width.....360 mm
Height.....130 mm
Depth.....305 mm
Weight.....6.5 kg

Safety

Protection class.....I, type BF

Pump

Flow rate.....30 - 500 ml/min
Pressure range.....15 - 150 mm Hg
Overpressure.....motor cuts off over
200 mm Hg

Adapters for Containers

WA40606A Adapter,
Abbott container to
HysteroBalance,
5 pcs.



WA40607A Adapter,
Bemis container to
HysteroBalance,
5 pcs.



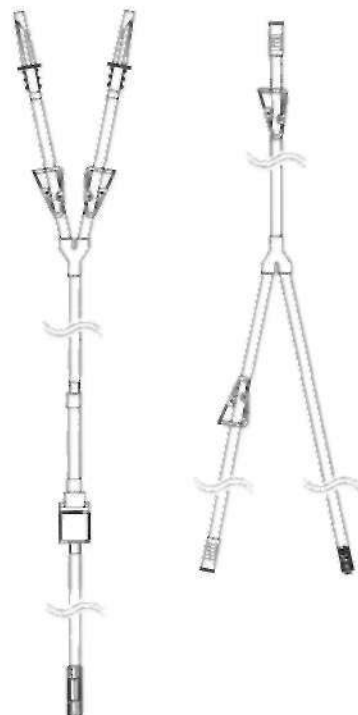
WA40608A Adapter,
Medela container to
HysteroBalance,
5 pcs.



Containers are not offered by Olympus,
please contact your local dealer.

Tubing Sets

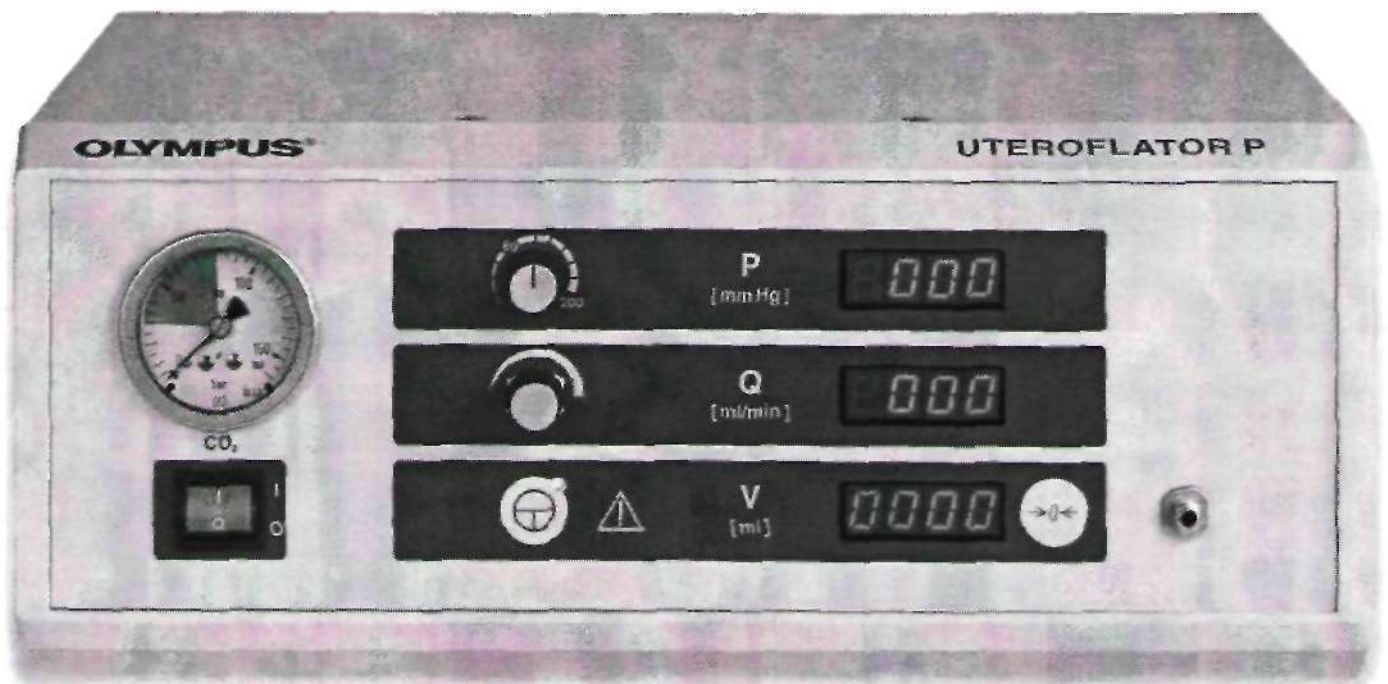
A4056 Tubing set,
for 2 irrigation bags,
sterile,
single use,
5 pcs.,
includes inflow
and discharge
tubing



When the HysteroFlow is used without HysteroBalance,
we recommend:

A4054 Tubing set,
for 2 bags,
inflow tubing,
sterile, single use, 10 pcs.
A4055 reusable, 1 pc.,





The Uteroflator P has a simple and self-explanatory design which allows uncomplicated and safe operation. Three digital displays located in a single column constantly provide the actual parameters of the procedure. The adjustable pressure of 0-200 mm Hg has been established and guarantees a sufficient distension of the uterus. Through the variable preselection of the gas flow between 5-100 ml/min, the ability to adapt to every OP-situation is provided for.

- ✓ Variable preselection
- ✓ Easy reading of monitoring data

Uteroflator P

- A4095 Insufflator "Uteroflator P",
 A4096 DIN connector
 A4097 PIN-Index connector
 ISO connector



Delivery includes:

Insufflator, insufflation tubing, power cable, spare fuses

Technical Data

Dimensions

Height.....	200 mm
Width.....	360 mm
Depth.....	300 mm
Weight.....	7 kg

Mains supply

Voltage.....	100-240 V
Frequency.....	50-60 Hz
Current consumption.....	220-150 mA

Insufflation

Medium.....	CO2 gas
Flow rate.....	5-100 ml/min
Pressure.....	0-200 mmHg (±5%)

Safety

Classification acc. to 93/42/EEC.....	IIa
Protection class.....	I, type BF
Manufactured and tested acc. to.....	DIN IEC 601, part 1
Radio interference suppression.....	DIN VDE 871, part 1
.....	limiting value B

Accessories

- A5648 Tubing,
silicone,
for insufflation



Silicone tubing with two Luer-Lock adapters 00103.

- A5623 Filter,
sterile, for insufflation,
small, 10 pcs.



For sterile filtration of the insufflation gas.
Prevents possible contamination of the insufflation unit
caused by backflow of body fluids.

Gas Supply

- A5660 Tubing,
DIN to DIN,
1.2 m,
high pressure



High pressure tubing for connection to a
central CO2 gas supply.

- A4659 Gas cylinder,
CO2,
DIN connector,
0.75 l,
empty



- A4663 Gas cylinder,
CO2,
PIN-Index connector,
0.75 l,
empty

