

OLYMPUS

Your Vision. Our Future

COLPOSCOPY

OCS-500 Colposcope

A Multi-Task Gyne-Imaging Center

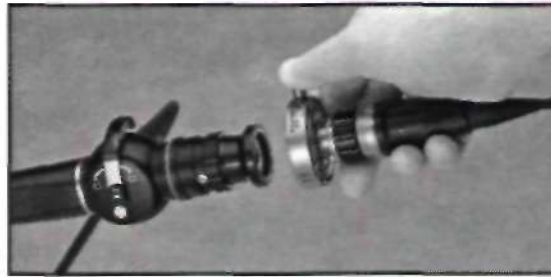


The OCS-500 was designed to meet the individual demands of efficient office gynecology. It provides extended magnification, smoother maneuverability, the integration of colposcopy and hysteroscopy, versatile high-quality image recording, a simple space-saving design, and much more. Digital image recording and a variety of observation functions have also been incorporated.

COL-05



- ✓ Colposcopy and hysteroscopy in a single system:
Video system and light source can be used für both,
colposcopy and hysteroscopy

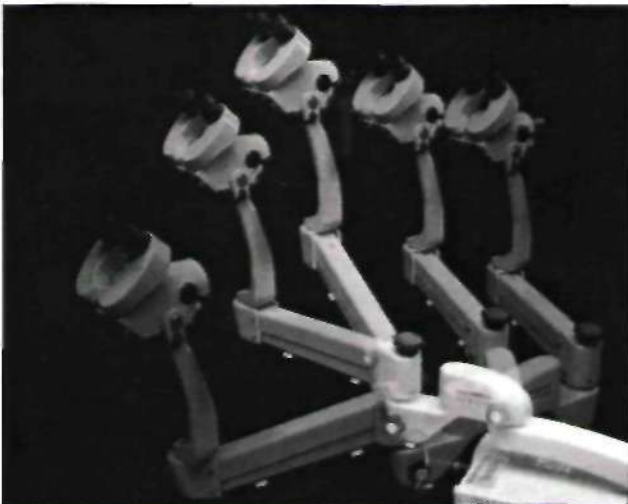


- ✓ Digital recording of colposcopic and hysteroscopic images:
OTV S7V VISERA Video System Center and Digital
CAMEDIA cameras can be attached in parallel



VISERA
CAMEDIA

- ✓ Refined optical performance:
A 220 - 350 mm variable working distance, 6x non-step
continuous zoom, and high eye-point eyepieces allow
precision colposcopy with reduced fatigue
- ✓ Improved maneuverability:
With all knobs placed together near the grip, and smooth,
fast operational response, the OCS-500 has been designed
to minimize stress and maximize efficiency



Colposcope OCS-500

Colposcope "OCS-500",
N1010863 standard set
WA49990A digital set

Standard set includes:
Main body OCS5-ZB,
balance arm OCS5-BA,
horizontal arm OCS5-HA,
light guide cable OCS5-LG,
floor stand OCS5-STD,
floor stand base OCS5-STB,
tray OCS5-TYS, light source CLH-SC

Digital set includes:
standard set (see above) plus
digital camera adapter, camera CAMEDIA C-5060 Zoom

Technical Data

Dimensions

Floorstand base (diameter)	600 mm
Height (over all)	1400 mm
Max radius of rotation	590 mm
Height adjustment range of arm	930 - 1230 mm
Arm rotation range	270°

Optical system

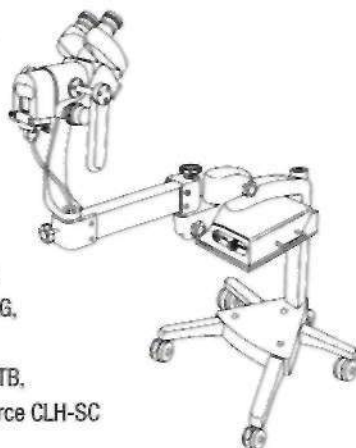
Eyepiece magnification	10x
Zoom ration	1 : 6
Focus adjustment range	220 - 350 mm
Filter	detachable green filter

Magnifications

220 mm working distance	3.7 - 23.4 x
300 mm working distance	3.0 - 18.8 x
350 mm working distance	2.7 - 16.9 x

Field of view

220 mm working distance	Ø58.5 - 9.3 mm
300 mm working distance	Ø73.1 - 11.6 mm
350 mm working distance	Ø82.4 - 13.1 mm



Colposcope Parts

N1011430 Main body "OCS5-ZB"

N1008400 Balance arm "OCS5-BA"

N1008500 Horizontal arm "OCS5-HA"

N1008600 Stand "OCS5-STD"

N1008700 Floor stand base "OCS5-STB"

N1009200 Tray "OCS5-TYS",
for light source CLH-SC

N1010330 Optional arm "OCS5-OPA",
for table OCS5-TBL

N1009500 Table "OCS5-TBL"

N1010230 System rack "OCS5-SR",
for VISERA video system



Still Photo Documentation

N9005912 Digital camera adapter,
"S234039", for CAMEDIA cameras
C2020, C2040, C3030, C3040, C4040, C5050
avail. April 2004 "OCS5-DCAD", for CAMEDIA C5060



For CAMEDIA cameras,
see separate promotional material.

CAMEDIA

N1010030 Adapter "OCS5-35AD",
for SC-35 camera
(not available in Europe)



A9317 Adapter "FM-CAMS2",
for camera SC-35
(not available in Europe)



A5033 Camera "SC-35",
35 mm, SLR
(not available in Europe)



Video Documentation

N1010130 Video adapter "OCS5-TVAD1"



N1009100 Eyepiece adapter "OCS5-ETVM"



For video adapters and couplers, see page EQ-21.

Holder for LCD Display

N1010430 LCD arm "OCS5-LCDA"



on request LCD mount



WA95201A Monitor,
TFT,
30 cm, 12"



For details, see page EQ-69.

Standard Video System

Video system "OTV-SC"
A4898 Control unit "OTV-SC"
A4899 Camera head "MAJ-554"



For details, see page EQ-55.

A4959 Light source "CLH-SC"



For details, see page EQ-55.

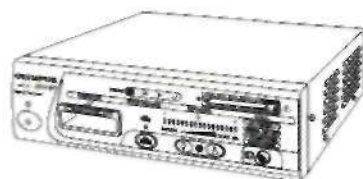
N1008800 Light guide cable "OCS5-LG",
for use with CLH-SC



VISERA Video System

Video system
VISERA OTV-S7V

VISERA



For details, see pages EQ-15/-16/-17.

N1014763 Light source "CLV-S40"

VISERA



For details, see page EQ-39.

Light guide cable, 5 mm,
for use with CLV-S40,

A3294 2.3 m length

A3295 3 m length



For details, see page ACC-05.

OCS-500 Colposcope

System Chart

System Chart

